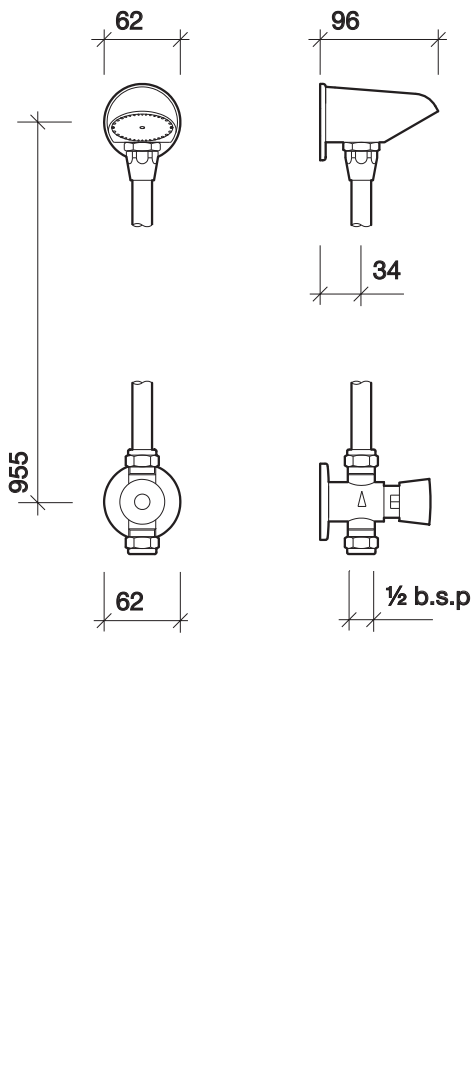


sola non-concussive shower

exposed non-concussive shower valve and anti-vandal head
flow restrictor fitted to meet BREEAM



to specify/order:

Please use the product reference shown below.

non-concussive shower valve and vandal resistant head

Exposed **SF1205CP**

thermostatic mixing valve

Single applications - 15mm **SF1037XX**

finish

Chrome plated CP.

approvals

BREEAM compliant

*TMV2 & TMV3 Approved when installed with SF1037XX



recommended operating pressure

Minimum operating pressure 0.1 bar.
Maximum rec. operating pressure 3 bar.

note

At an inlet pressure of 1 bar valve gives approximately 25 seconds (+ or - 3 seconds) of flow after button is pressed. Inlet connections 15mm. Outlet connections 2 x 1/2" BSP.

sola non-concussive thermostatic shower valve & head - exposed

Flow rates SF1205CP									
Pressure (bar)	0.1	0.2	0.5	1.0	2.0	3.0	4.0	5.0	
Without restrictor (l/min)	2.6	4.3	7.1	10.6	15.4	19.1	19.8	25.8	
With restrictor (l/min) for BREEAM	1.7	3.1	4.9	7.1	8.5	8.7	8.2	8.6	

All measurements shown are in millimetres. Drawing sizes are not to scale.



Hotels



Education



Commercial

Twyford
Geberit Group

280