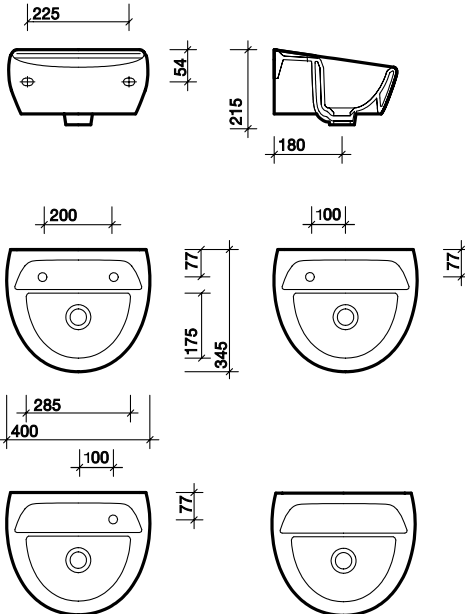


sola medical 400

no overflow, no chainstay
deeper side walls for superior strength



Sola Medical 400mm handrinse with sola lever action taps



All measurements shown are in millimetres.
Drawing sizes are not to scale.

to specify/order:

Please use the product reference shown below:

washbasin

400 x 345mm,
no overflow, no chainstay:
2 tap holes
1 right hand tap hole, LB G S
1 left hand tap hole
No tap hole

SA4152WH
SA4155WH
SA4156WH
SA4150WH

fixings

Wall bolts 120mm (pair)
Wall hangers (pair)
Total Install™ bracket pack
for 400 basin

SR1015XX
SR5307XX
T11961XX

taps & mixers

Sola

waste & traps

Refer to wastes & traps.

approvals

HBN 00-10 C, code LB G S

material

Vitreous china.

colour

White WH

note

2 tap basin - 25mm holes.
1 tap basin - 32mm holes.



Healthcare



Commercial

Twyford

Geberit Group