

Option 400 handrinse

co-ordinating option range



to specify/order:

Please use the product reference shown below.

handrinse

400 x 330mm:

2 tap holes with no chainstay hole **OT4812WH**

2 tap holes with chainstay hole **OT4832WH**

pedestal

Pedestal

OT4940WH

taps & mixers

Refer to taps & mixers.

waste & traps

Refer to wastes & traps.

fixings

Wall bolts (pair)

SR1015XX

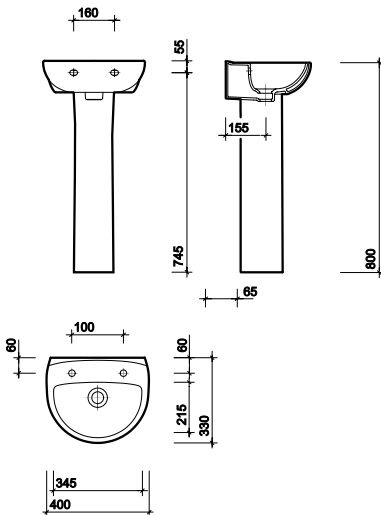
material

Vitreous china.

colour

White WH.

Option 400 x 330mm handrinse basin 2 tap holes



All measurements shown are in millimetres.
Drawing sizes are not to scale.



Hotels



Education



Commercial



Residential

Twyford

Geberit Group