

sola thermostatic tap

option of copper tails or flexible hoses
includes brass back nut, flow straightener, check valves & strainers
flow restrictor fitted to meet BREEAM



to specify/order:

Please use the product reference shown below.

thermostatic monobloc

Single lever sequential
thermostatic monobloc basin mixer:

Including copper tails **SF1053CP**

finish

Chrome plated CP.

approvals

BREEAM compliant.

TMV3

HBN 00-10 C, code TP6

WRAS Approved



recommended operating pressure

Minimum operating pressure 0.2 bar.

Maximum operating pressure 5 bar.

Maximum static pressure 10 bar.

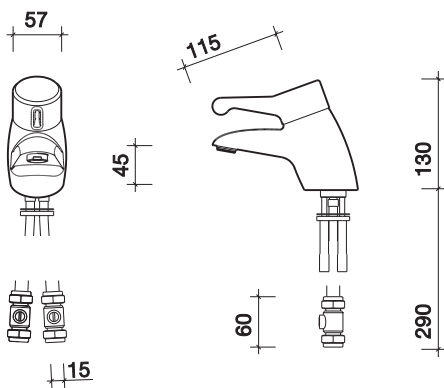
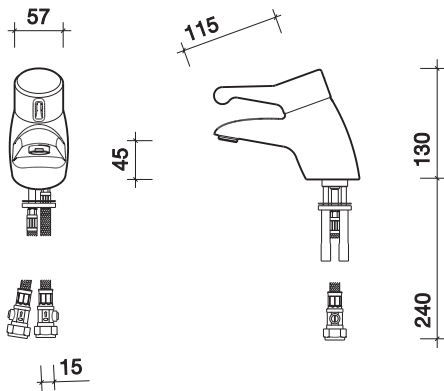
note

Pre-set factory temperature setting
41°C. Supplied with full service and
maintenance instructions.

Suitable for tap hole sizes 30-36mm.



Thermostatic monobloc



SF1053CP

Flow rates SF1053CP											
Pressure (bar)	0.1	0.2	0.4	0.6	0.8	1.0	1.5	2.0	3.0	4.0	5.0
Without restrictor (l/min)	3.5	5.4	6.5	7.5	8.5	Not recommended, use flow regulators as below					
With restrictor (l/min)	Use low pressure set up					7.2	8.1	8.9	9.4	9.8	10.2
With restrictor (l/min) for BREEAM	Use low pressure set up					4	4.5	5	5	5	5

All measurements shown are in millimetres. Drawing sizes are not to scale.



Hotels



Healthcare



Education



Commercial



Less Able

Twyford
Geberit Group

271