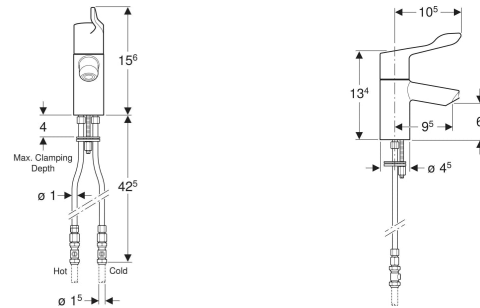


Twyford Sola washbasin tap, deck-mounted, single-lever thermostatic mixer, lever extended



APPLICATION PURPOSES

- For public and semipublic areas
- For installation in washbasins or washtops

CHARACTERISTICS

- Single-lever mixer
- With thermostatic mixer
- Volume flow control via tap aerator

TECHNICAL DATA

Operating pressure	0.5–10 bar
Operating temperature, water max.	85 °C
Flow rate at 3 bar	3.8 l/min
Product material	Brass / plastic

Art. no.	Colour / surface	Mixer	B cm	H cm	T cm
SF1120CP	chrome / Glossy	with thermostatic mixer	4.5	15.6	10.5