

sola 400

robust design
deeper side walls for superior strength
enclosed fixings for hygiene



Sola 400mm handrinse with sola 1/2" non-concussive taps

to specify/order:

Please use the product reference shown below.

washbasin

400 x 345mm:

2 tap holes

1 centre tap hole

SA4112WH

SA4111WH

fixings

Wall bolts 120mm (pair)

Wall hangers (pair)

Total Install™ bracket pack
for 400 basin

SR1015XX

SR5307XX

T11961XX

taps & mixers

Sola

waste & traps

Refer to wastes & traps.

material

Vitreous china.

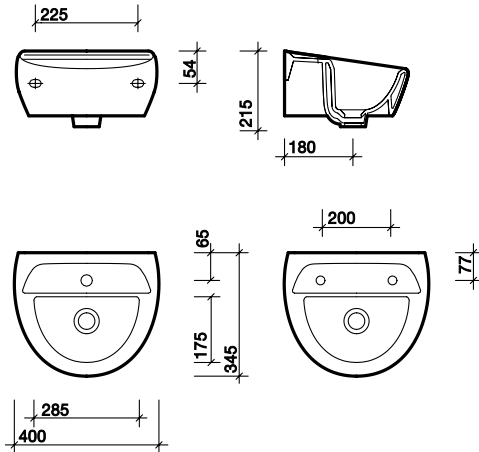
colour

White WH

note

2 tap basin - 25mm holes.

1 tap basin - 32mm holes.



All measurements shown are in millimetres.
Drawing sizes are not to scale.



Hotels



Healthcare



Education



Commercial

Twyford

Geberit Group

104