

# sola optimise 450 semi-recessed

space saving short projection basin, ideal for schools  
deeper side walls for superior strength



Sola 450 x 380mm semi-recessed basin

## to specify/order:

Please use the product reference shown below.

### washbasin

Semi-recessed 450 x 380mm:

1 centre tap hole

**SA4621WH**

2 tap hole

**SA4622WH**

### taps & mixers

Sola

Alternatively refer to taps & mixers.

### extras

Chainstay blanking pin

**SF9225CP**

Chrome overflow trim

**ZQ0743CP**

### waste & traps

Refer to wastes & traps for further options.

### material

Vitreous china.

### colour

White WH.

### fixings

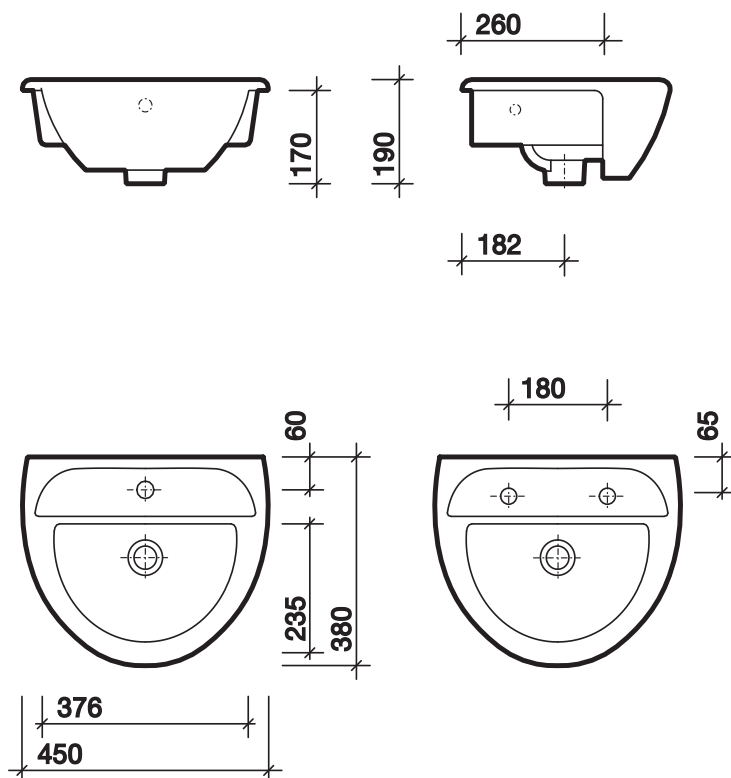
Fixing kit and template provided with basin.  
The basin is designed to fit furniture units with a worktop thickness between 15-40mm and a front face thickness up to 25mm.

### note

2 tap basin - 25mm holes.

1 tap basin - 32mm holes.

The basin is designed to fit furniture units with a worktop thickness between 15-40mm and a front face thickness up to 25mm.



All measurements shown are in millimetres. Drawing sizes are not to scale.



Hotels



Education



Commercial



Residential

# Twyford