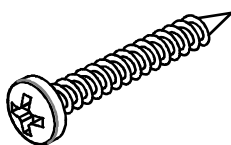


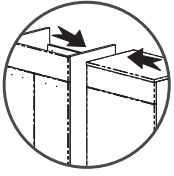
106784 / A x2



106784 / B x2



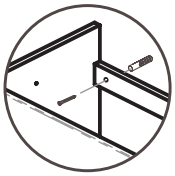
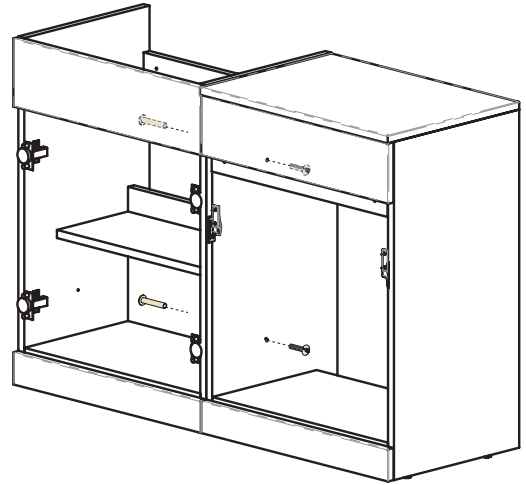
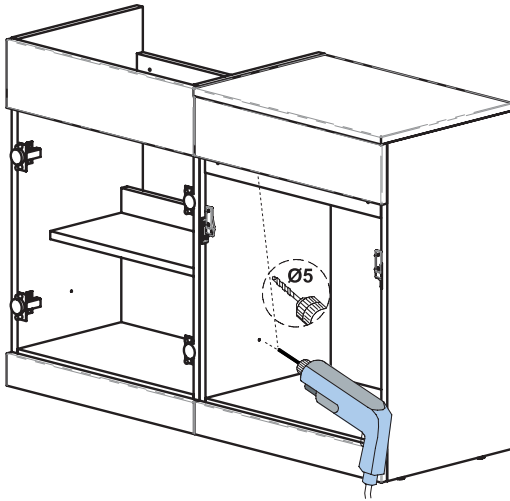
x2



Ø4x30 2Unds



Ø4x14 2Unds



x2



x2

