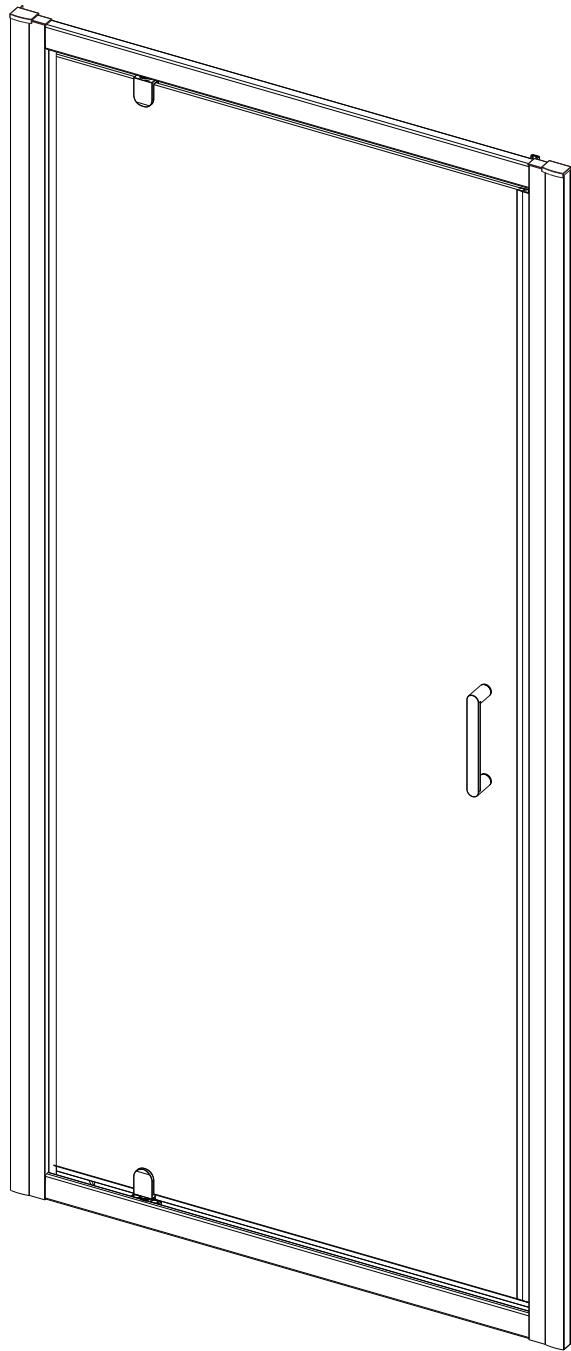


AQUA

ASSEMBLY INSTRUCTIONS PIVOT DOOR



**We strongly recommend that this product
is fitted by a professional trades person.**

**PO No.:
V1.10.25**

BEFORE YOU START, HERE IS SOME IMPORTANT INFORMATION

1) General Information

Please inspect this product upon delivery, any missing parts or manufacturing defects must be reported immediately to the supplier. Damage or defects reported later will not be accepted. **TAKE CARE WHEN HANDLING GLASS PARTS - AVOID HEAVY CONTACT BETWEEN THE GLASS EDGES AND ANY HARD SURFACE.**

Glass breakage claims will not be accepted after the product has been unpacked.

Please note: Aluminium is a soft metal, and undergoes a series of extrusion, fabrication, polishing and anodising processes in order to create your finished shower enclosure. Some light surface marks are normal, and is a result of the manufacturing processes. Quality control has ensured that this item is of a good standard, and is fit for purpose.

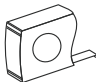


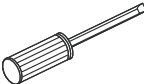
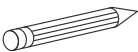
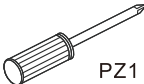
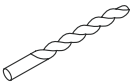
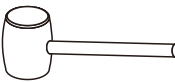

2) Additional Notes

Please read these instructions carefully before starting installation.

Special care should be taken when drilling walls to avoid hidden pipes or electrical cables.

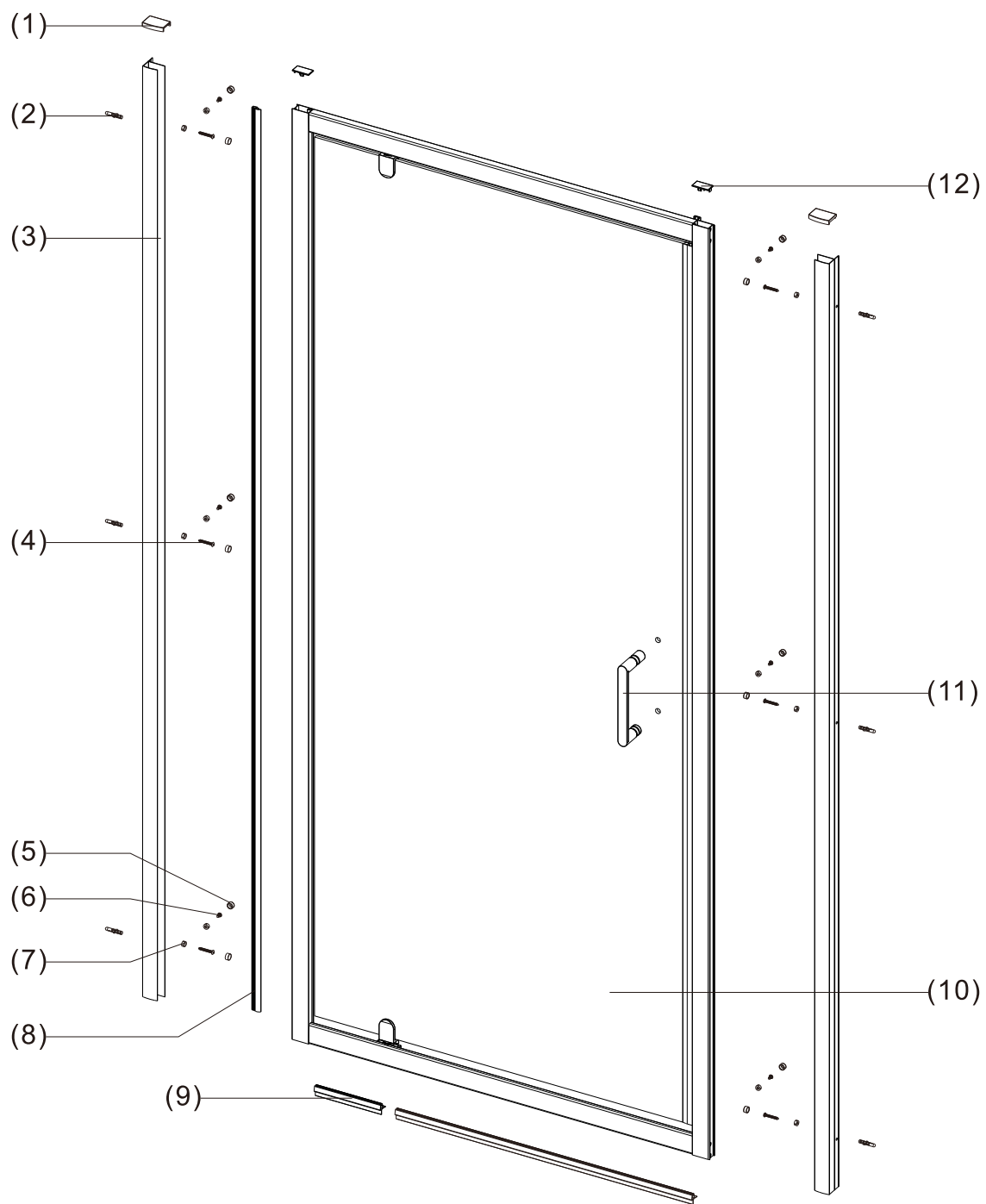
Note: this product is heavy and may require two people to install.

TOOLS REQUIRED

DESCRIPTION	PART IMAGE	DESCRIPTION	PART IMAGE
Tape measure		Drill	
Spirit level		Flat-head Screwdriver	
Pencil		Cross head Screwdriver	 PZ1
Ø6mm, Ø3mm Drill bit		Mallet	
Silicone Sealant			

ASSEMBLY INSTRUCTIONS - DRAWING

NB: ALL MEASUREMENTS + COMPONENT SIZES QUOTED ARE IN MM.



(1) 2x Wall Profile Cover Caps L&R

(2) 6x Wall Plugs

(3) 2x Wall Profiles

(4) 6x Screws ST4x30

(5) 12x Screw Cover Caps

(6) 6x Screws ST4x10

(7) 12x Screw Clips

(8) 1x Vertical Seal

(9) 2x Bottom Seals

(10) 1x Pivot Door

(11) 1x Handle

(12) 2x Upright Profile Cover Caps

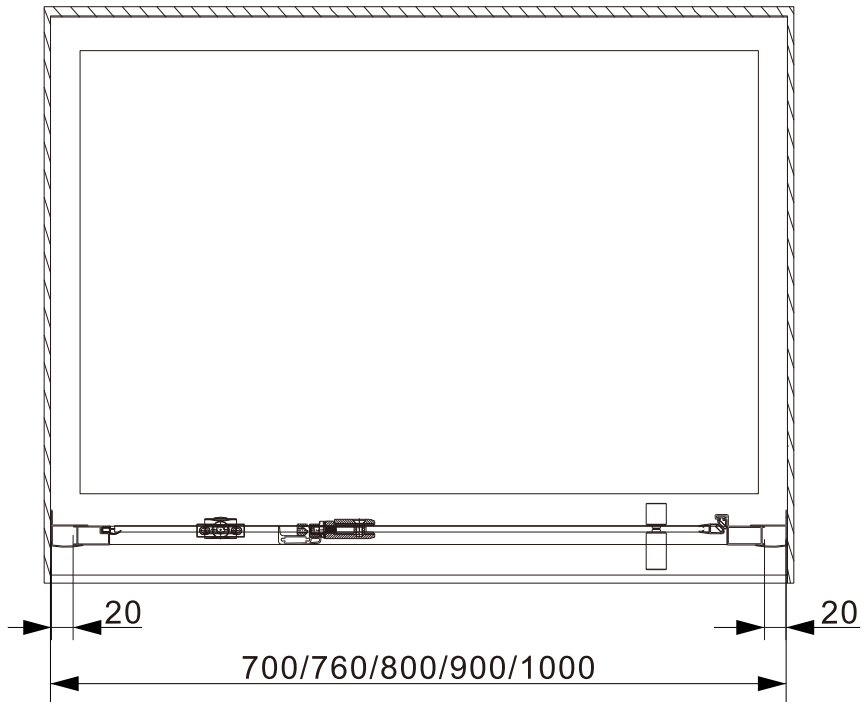
ASSEMBLY INSTRUCTIONS

If you require help, we advise you to contact a competent plumber.

Installation Steps

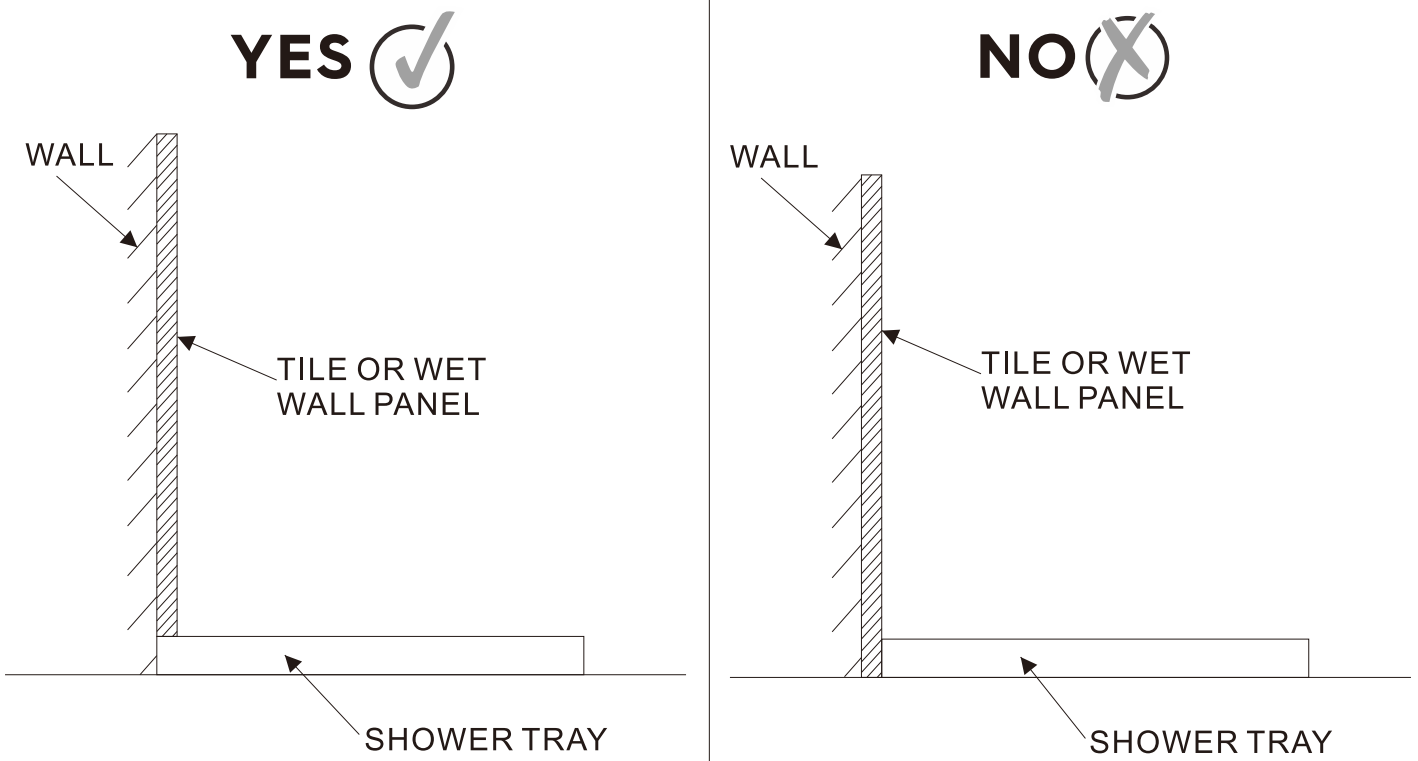
THESE DIMENSIONS ASSUME THE WALLS ARE PLUMB AND THE SHOWER TRAY IS LEVEL.

FITTED PIVOT DOOR DRAWING



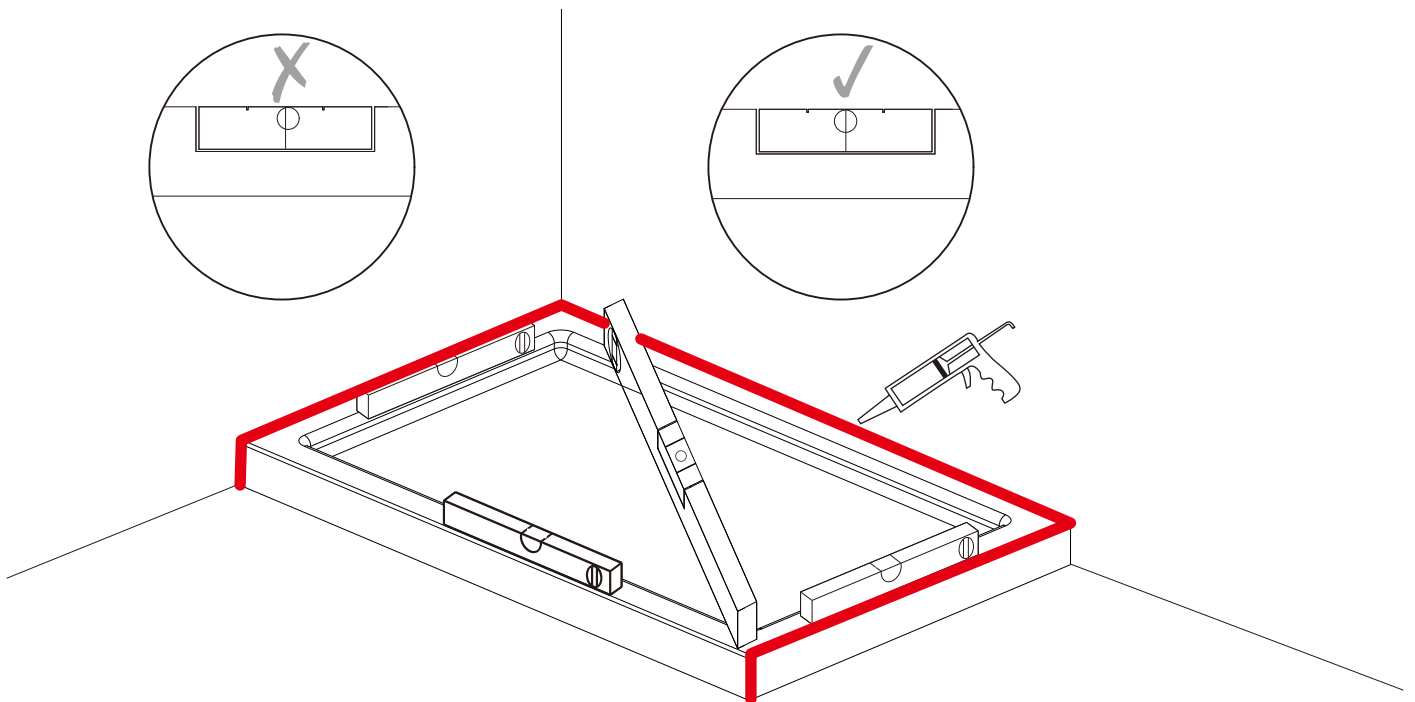
700 Pivot Door 655-695mm
760 Pivot Door 715-755mm
800 Pivot Door 755-795mm
900 Pivot Door 855-895mm
1000 Pivot Door 955-995mm

STEP 1 DRAWING TO SHOW CORRECT SHOWER TRAY INSTALLATION



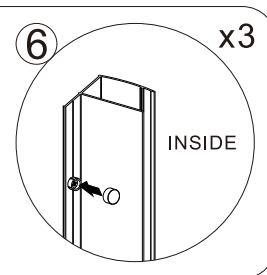
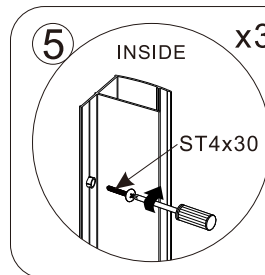
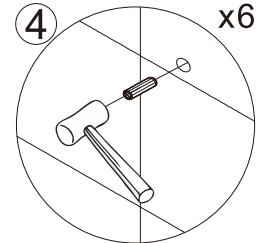
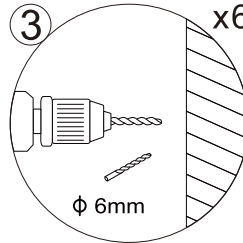
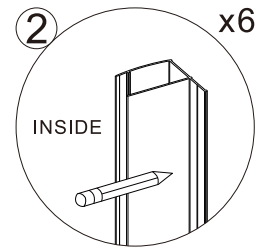
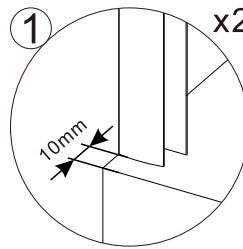
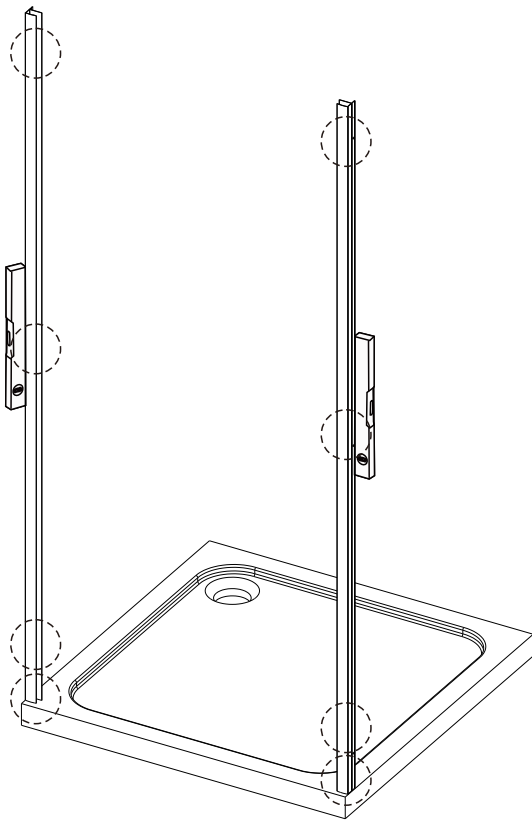
STEP 2 TRAY TO BE LEVEL

MAKE SURE THE TRAY IS LEVEL, USING A SPIRIT LEVEL, BEFORE INSTALLING THIS SHOWER PANEL / DOOR, AND THAT SILICONE IS APPLIED ON ALL SIDES WHERE THE TRAY MEETS THE TILES / WET WALL PANELS.



STEP 3

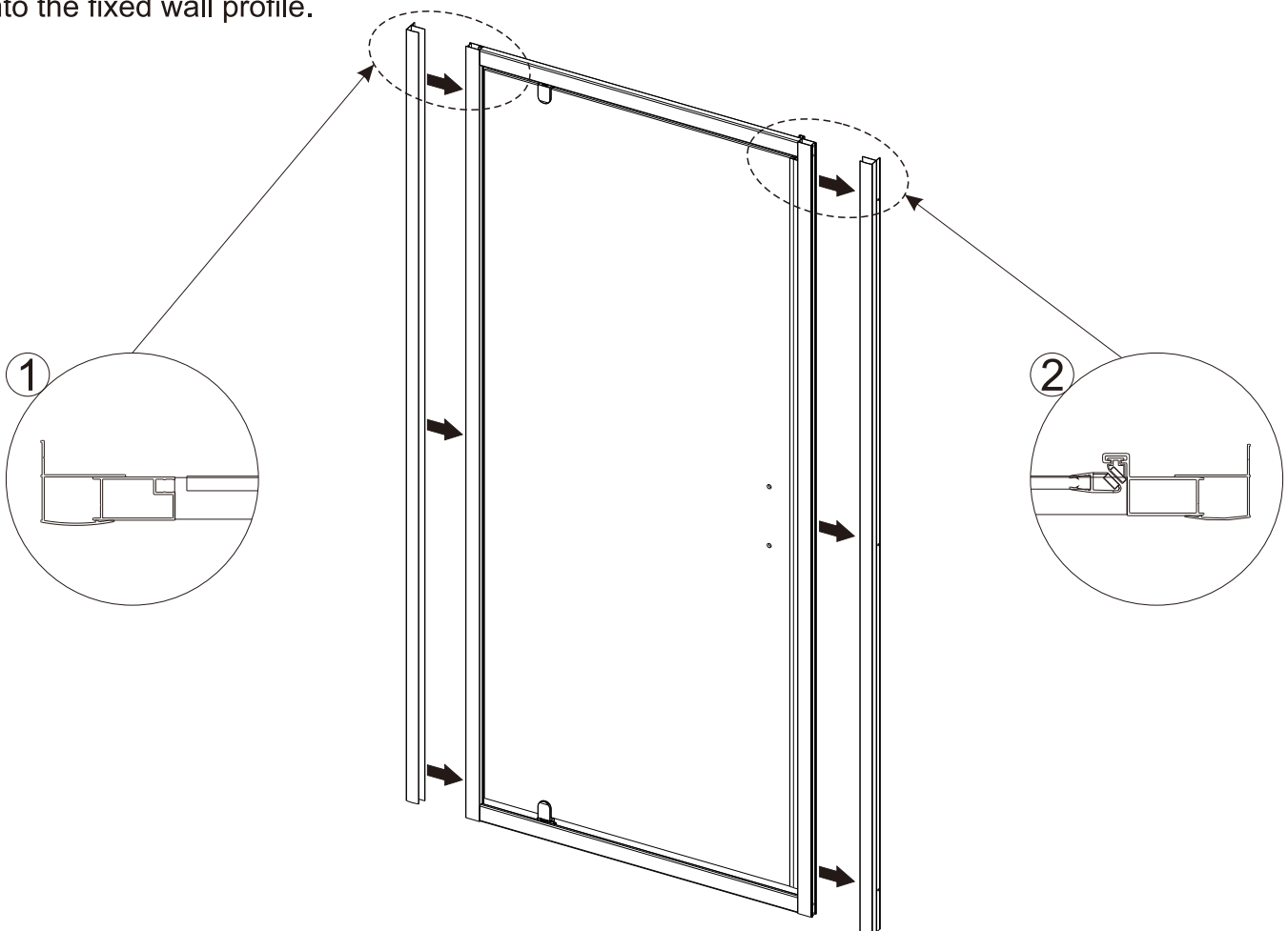
This product is universal for LH and RH installation. Turn the product vertically through 180 degrees for the handle to be located on the LH side. Only fit the handle side wall profile to the wall in step 3.



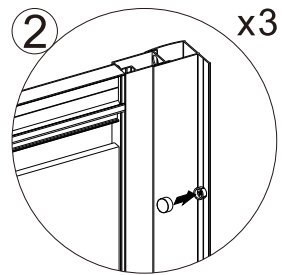
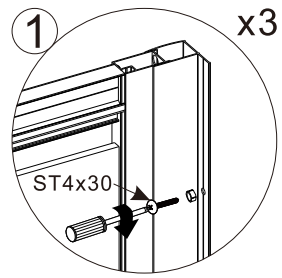
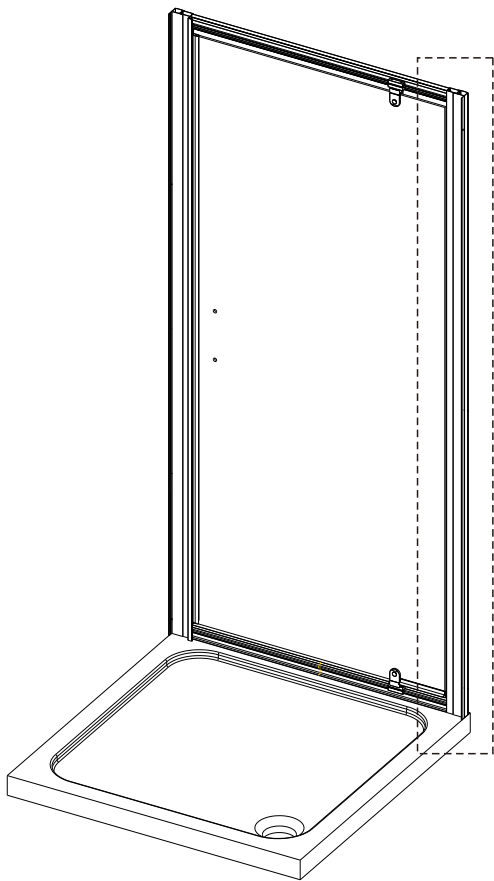
INSTALL THE RIGHT SIDE WALL PROFILE FIRST

STEP 4

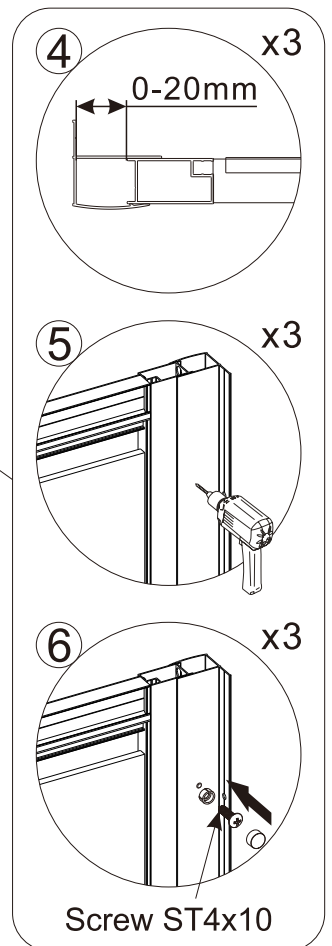
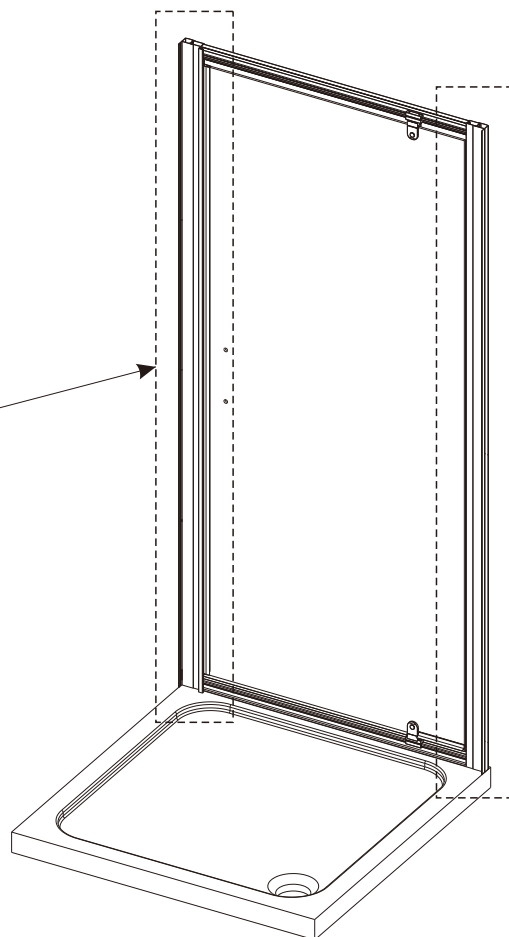
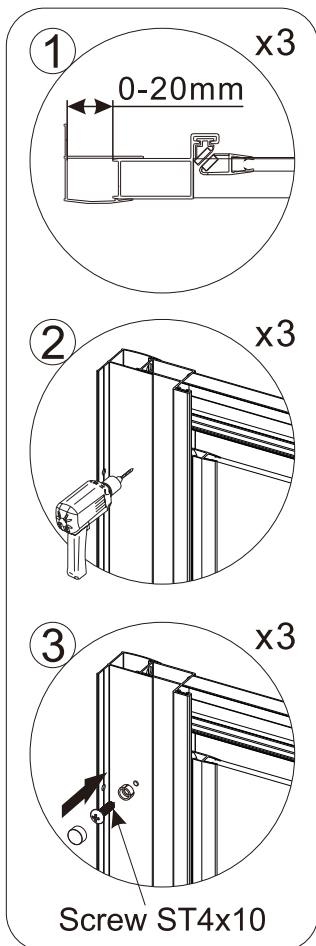
Slide the wall profile onto the side opposite the handle, then lift the whole door onto the tray – and into the fixed wall profile.



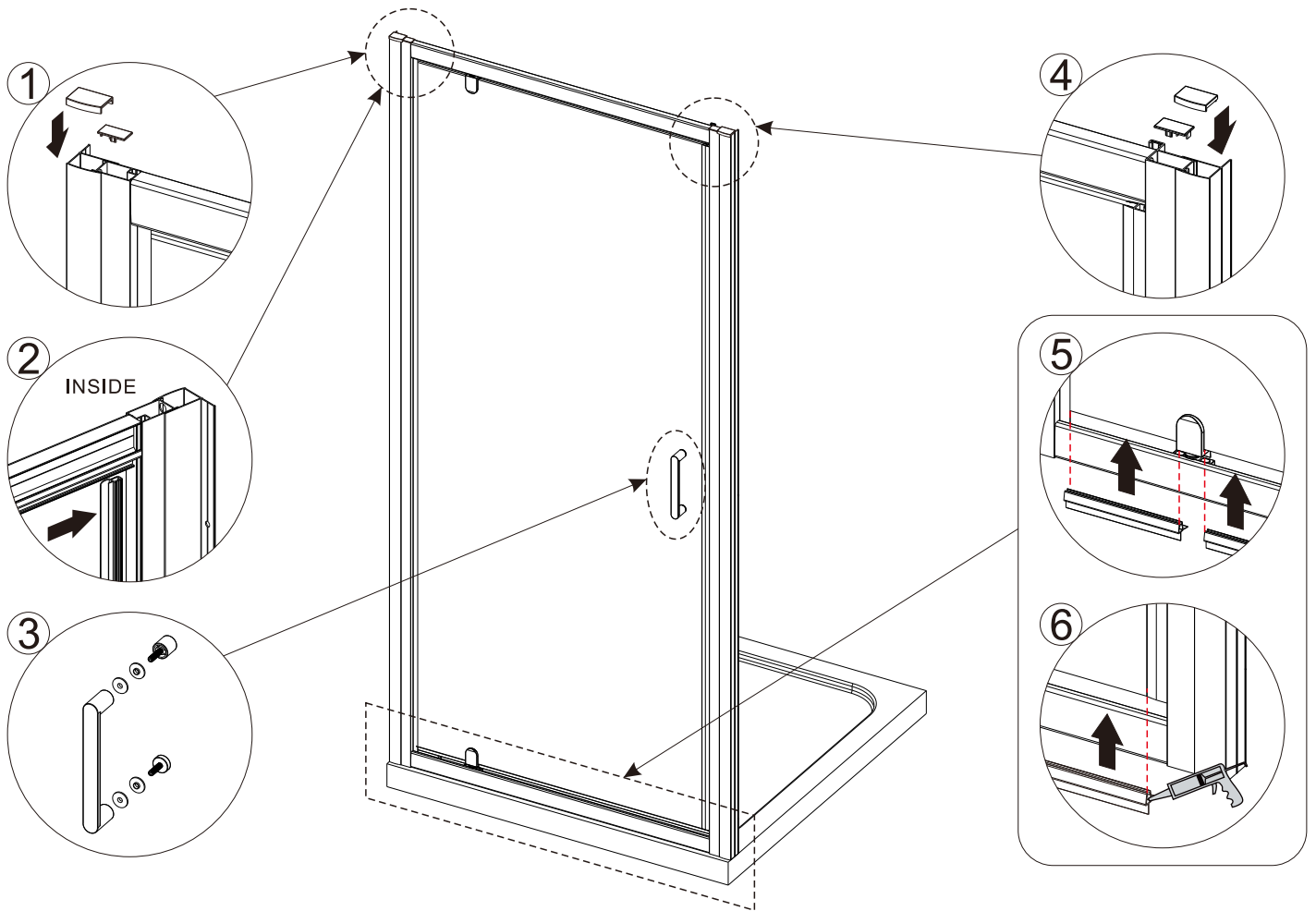
STEP 5



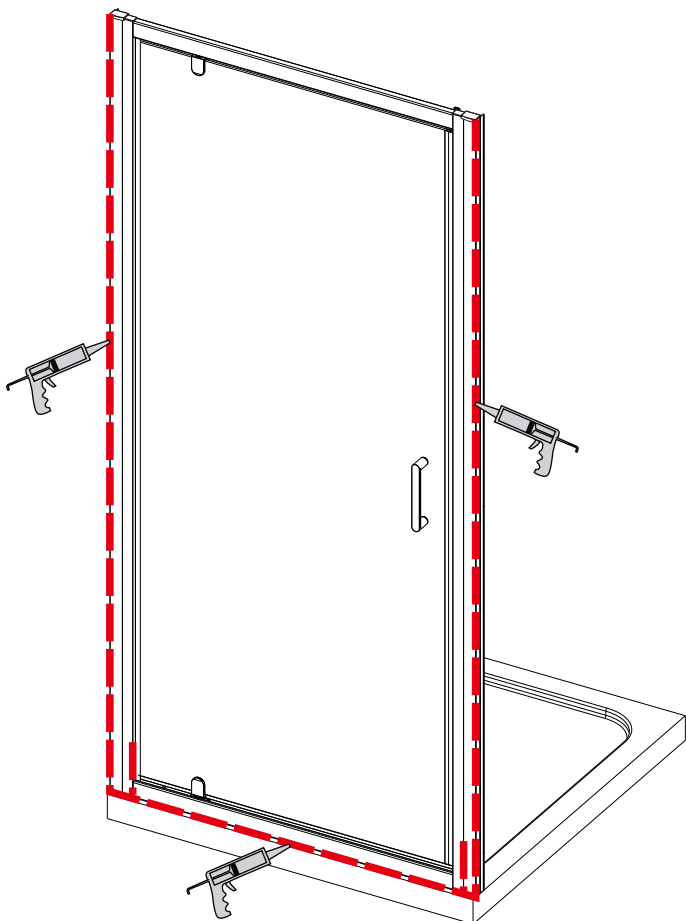
STEP 6



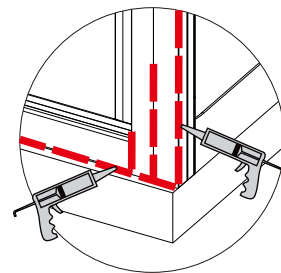
STEP 7



STEP 8



Allow 24 hours for silicone to dry before use.
Silicone on the outside edge only.




CARE AND MAINTENANCE

1) AFTER CARE INSTRUCTIONS

Regularly clean your shower product with warm soapy water to prevent lime scale build up. Do not use abrasive cleaning fluids or materials, or strong chemical cleaners as this will damage the product surface.

2) MAINTENANCE

Clean the plastic parts with a cloth and mild detergent. Never use any abrasive creams, solvents, acetone, or detergents and disinfectants that contain chlorine. The supplier accepts no liability for any type of use or care other than that described in these instructions. The supplier reserves the right to introduce technical changes without notice.

		
www.frontlinebathrooms.co.uk www.smithsbriten.co.uk		
25		
BS EN14428: 2015+A1:2018		
DoP: J180813001-1-089		
Shower enclosures with aluminium profiles and safety glass		
Essential characteristics	Performance	Harmonised technical specification
Cleanability	Pass	Clause 4.2 of BS EN 14428: 2015+A1:2018
Impact resistance/shatter properties	Pass	Clause 4.3 of BS EN 14428: 2015+A1:2018
Durability	Pass	Clause 4.4 of BS EN 14428: 2015+A1:2018

Smiths Briten : customerservices@smithsbriten.co.uk : Tel 01204 695411

Frontline : customer.services@frontlinebathrooms.co.uk : Tel 0845 470 2424