


BASIN MIXERS ARCHITECTURA SQUARE

PRODUCT INFORMATION



Article title	Villeroy & Boch Architectura Square Tall single-lever basin mixer with push-open waste, Chrome
Article number	TVW12500200061
Assembly / Assembly type	Deck-mounted
Scope of delivery	1 x tap fitting , 1 x aerator key 1 x outlet fitting 1 x fastening 2 x connecting hoses 1 x installation instructions
Length in mm	211
Width in mm	50
Height in mm	306
Collection	Architectura Square
Weight in kg	2.64
Material	Brass
Surface	glossy
Colour name	Chrome
EAN number	4062373755648
Model number	TVW125002000
Air plus	An aerator enriches the water with air for a particularly soft, water-saving jet
Easy clean	Longer service life: optimum limescale removal by simply rubbing nozzles and aerators clean
Comfort plus	Practical tap fitting height, ideal for combination with surface-mounted washbasins
Aqua smart	Sustainable, limited water flow: saving water without sacrificing on performance
Tap smartpressure	Constant water flow rate for washbasin mixers regardless of pressure fluctuations in the piping system
Length of spout in mm	176
Material	Brass
Volume	9,488
Cartridge	Cartridge with ceramic discs
Handle position	Top
Number of tap holes	1
Swivel aerator	No
Water regulation	Water temperature is regulated 45° to each side
Thermostat	No
Cool Tap	No
Spray types	Comfort jet

COLOURS

Colour	Description	Article number	EAN
	Chrome	TVW12500200061	4062373755648

CHARACTERISTICS



An aerator enriches the water with air for a particularly soft, water-saving jet



Sustainable, limited water flow: saving water without sacrificing on performance



Practical tap fitting height, ideal for combination with surface-mounted washbasins



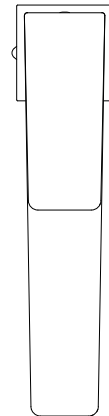
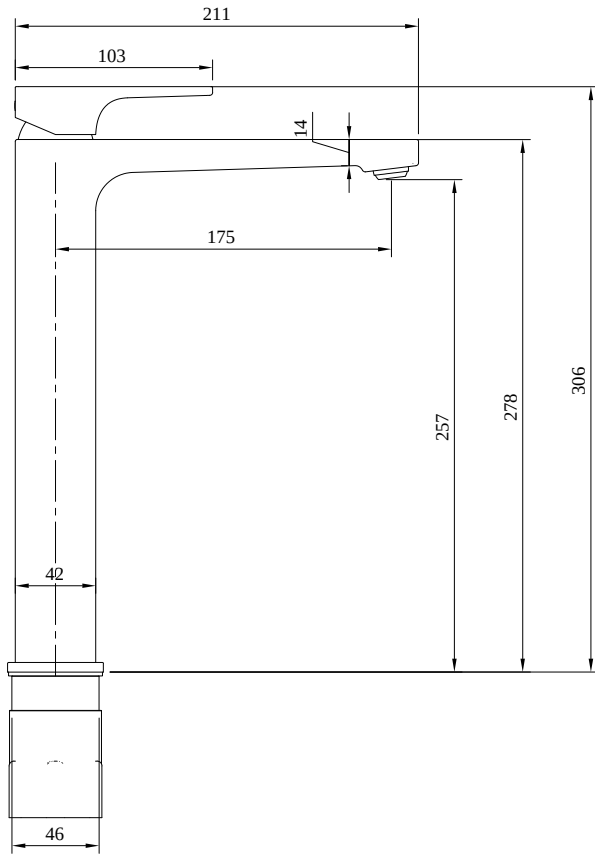
Longer service life: optimum limescale removal by simply rubbing nozzles and aerators clean



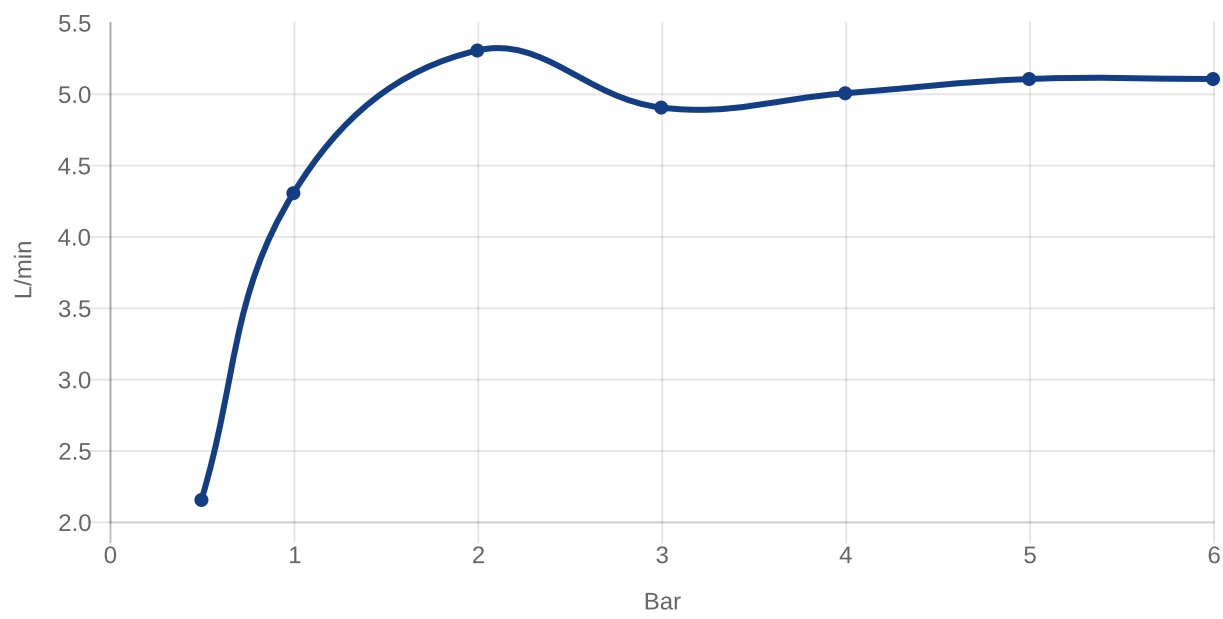
Constant water flow rate for washbasin mixers regardless of pressure fluctuations in the piping system

TECHNICAL DRAWINGS

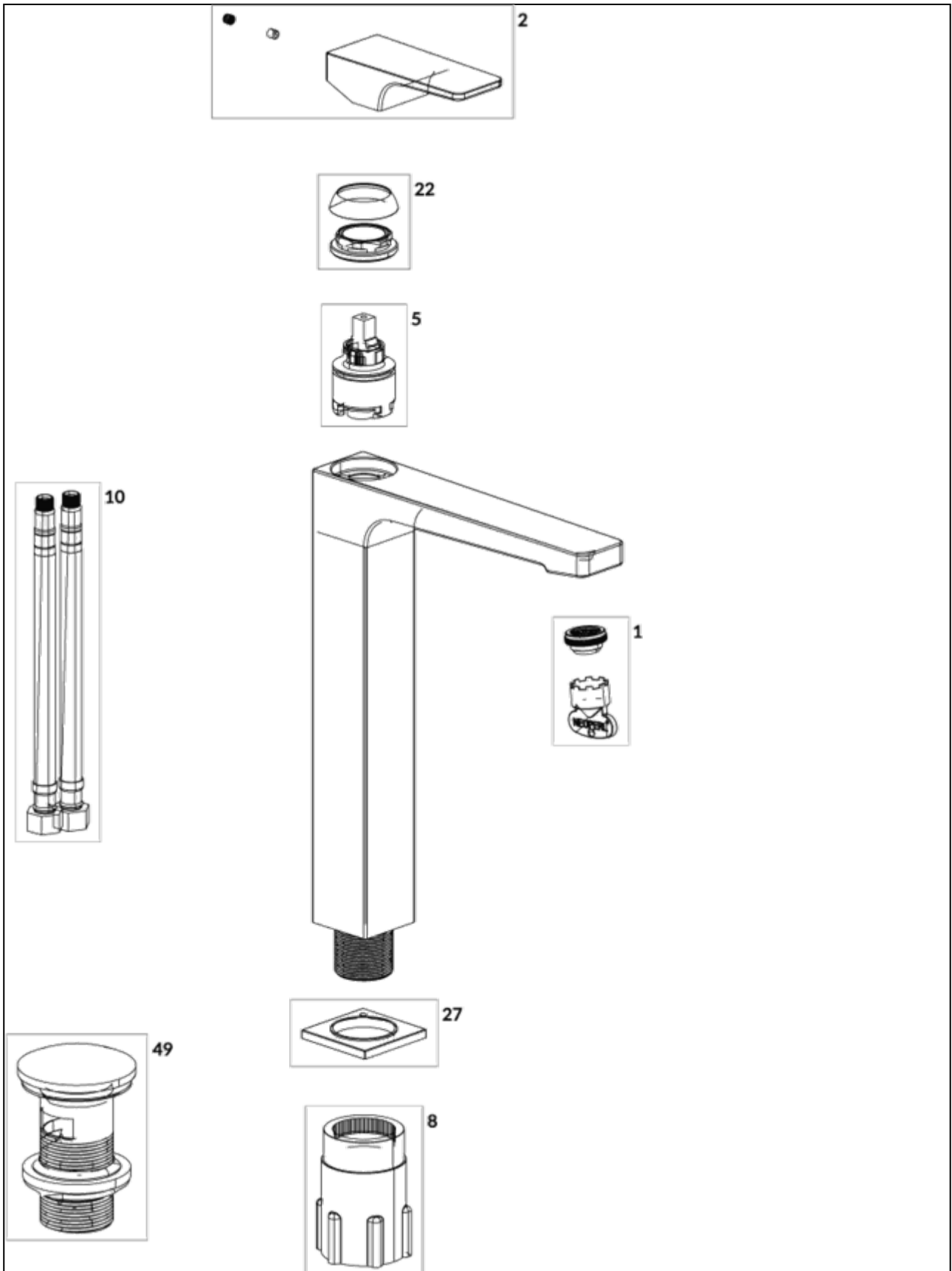
TVW125002000



FLOW CHART



EXPLOSION DRAWINGS



BILL OF MATERIALS

No.	Article No.	Description	Quantity
1	TVP00000513000	Aerator set	1
2	TVP12500100061	Handle set	1
5	TVP00000105000	Cartridge	1
8	TVP00000602000	Fastening set	1
10	TVP00000702000	Connecting hoses	1
27	TVP12500200061	Base ring	1
49	TVP00000301061	Push-Open waste	1