

SHOWER TRAY ARCHITECTURA

PRODUCT INFORMATION

1. POSITION



Article number	UDA1770ARA215V-01
Article title	Villeroy & Boch Architectura Rectangular shower tray, 1700 x 700 x 15 mm, White Alpin
Product designation	Rectangular shower tray
Collection	Architectura
Assembly / Assembly type	Surface-mounted, Corner installation flush-fitting installation Installation on a base
Assembly instructions	With MetalRim and an edge height of 15mm, we recommend the use of a composite seal in accordance with ETAG 022 on the floor structure below the shower tray in order to prevent any moisture from penetrating the floor structure., From size 1400 x 900, two supports (U82990000) are required. The installation height of the shower tray can be reduced by 30 mm if the Viega outlet fitting art. no. 634 100 is used. Please note: this outlet fitting does not conform to EN 274.
Drainage rate in l/min	53
Scope of delivery	1 x rectangular shower tray , 1 x outlet cover in White Alpine (01), for matt colours, outlet cover in matching matt colours.
Ordering information	Supplied without support frame / base.
Length in mm	1700
Width in mm	700
Height in mm	15
Interior depth	16
Weight in kg	20,00
Material	Acrylic
Colour name	White Alpin
With feet/base	No
Other material	Outlet cover: Acrylic
Other surfaces	Outlet cover: glossy
With bath support	No
Anti-slip class	Anti-slip class A
EAN number	4051202286583

COLOUR

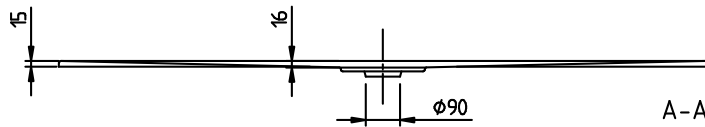
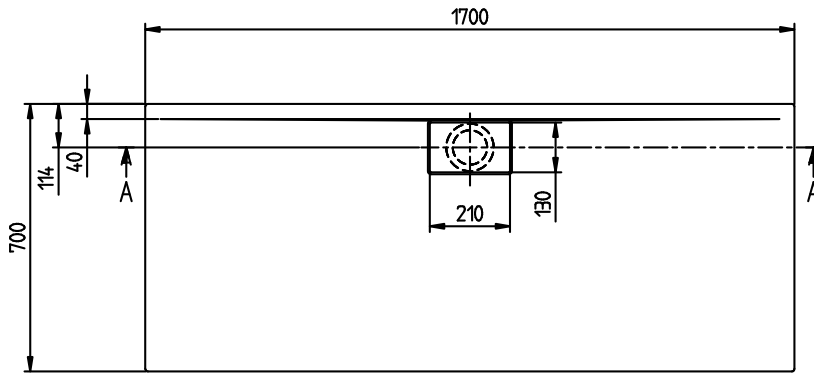
COLOUR DESIGNATION




White Alpin

TECHNICAL DRAWINGS

UDA1770ARA215V-01



ARCHITECTURA METAL RIM 1700x700 UDA1770ARA215 V02 / 31-03-2021	 Villeroy & Boch 1748
---	---