

VitrA Optima Offset Bath (left hand)

CI/SfB	(74)	
2007		

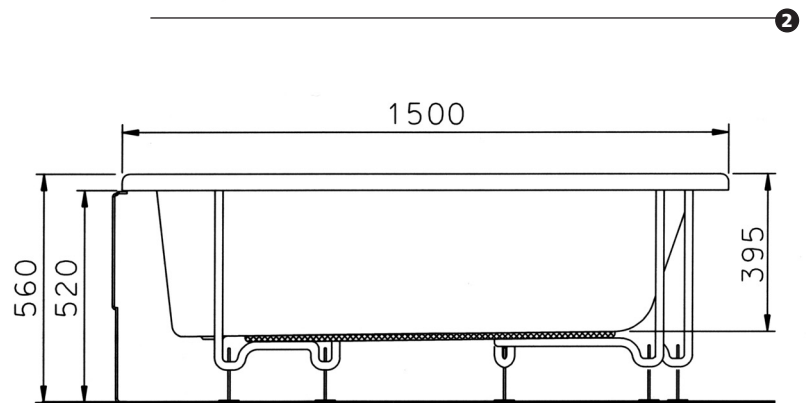
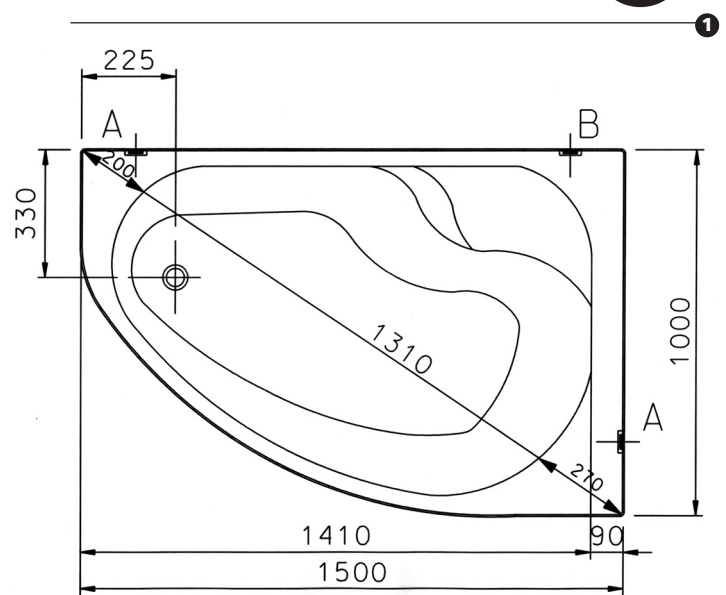
Model : OPTIMA
Bath's code : 507800020..
Size : 1500x1000 mm.
Volume : 190 l.
Weight : 30 kg. (without panel)
Material : Acrylic
Colours : White, Pergamon



NBS Plus

Complementary Parts

Leg set code : 59990079000
Corner panel code : 524900010.. **Weight**: 3.3 kg



A: Wall clamp fixing bracket
 B: Support bracket