



Collection: Suit

### Technical specifications

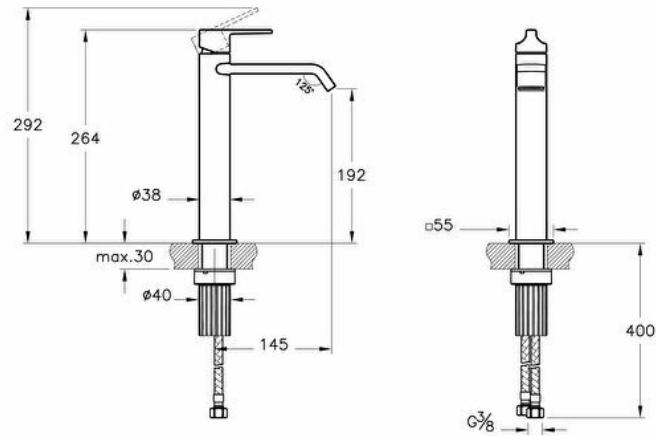
<b>Colour</b>	Gloss Black
<b>Height</b>	264
<b>Width</b>	38
<b>Depth</b>	165
<b>Easy Assembly Feature</b>	Yes
<b>Finish</b>	PVD
<b>Material</b>	PVD
<b>Mixing Capability with Air</b>	Yes

<b>Cartridge</b>	Basic
<b># of Water Inlet</b>	Double Inlet
<b>Number of Functions</b>	6
<b>Operating Pressure</b>	Min:0.5-Max:10Recommended(1-5)
<b>Outlet Turning Angle</b>	Fixed
<b>Designer</b>	Vitra Design Team
<b>Packaged Product Sizes (WxDxH)</b>	430X225X90

<b>Mounting type</b>	Countertop
<b>Spiral Hose Material</b>	Stainless Steel PEX
<b>Spiral Length</b>	600
<b>Spout Length</b>	145
<b>Water Label Class</b>	Dark Green (0 < Flow Rate ≤ 6)
<b>Aerator</b>	Rectangular
<b>Badge Diameter</b>	55X55
<b>Body Material</b>	Brass

<b>Guarantee</b>	5
<b>Certificate</b>	ACS
<b>Spout Height</b>	192
<b>Hole Quantity</b>	1

## 2A technical drawing



### Technical specifications

**Colour:** Gloss Black **Height:** 264 **Width:** 38 **Depth:** 165 **Easy Assembly Feature:** Yes **Finish:** PVD **Material:** PVD **Mixing Capability with Air:** Yes **Mounting type:** Countertop **Spiral Hose Material:** Stainless Steel PEX **Spiral Length:** 600 **Spout Length:** 145 **Water Label Class:** Dark Green (0 < Flow Rate ≤ 6) **Aerator:** Rectangular **Badge Diameter:** 55X55 **Body Material:** Brass **Cartridge:** Basic # **of Water Inlet:** Double Inlet **Number of Functions:** 6 **Operating Pressure:** Min:0.5-Max:10Recommended(1-5) **Outlet Turning Angle:** Fixed **Designer:** Vitra Design Team **Packaged Product Sizes (WxDxH):** 430X225X90 **Guarantee:** 5 **Certificate:** ACS **Spout Height:** 192 **Hole Quantity:** 1