



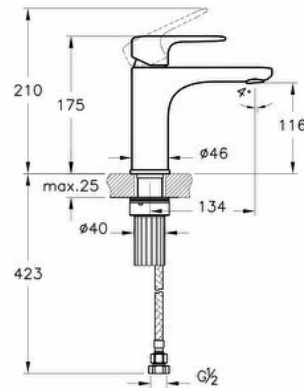
Collection: Root Round

Technical specifications

| | |
|------------------------------|-------------------|
| Colour | Soft Copper |
| Height | 174 |
| Width | 50 |
| Depth | 180 |
| Designer | VitrA Design Team |
| Easy Assembly Feature | Yes |
| Finish | PVD |

| | |
|---------------------------------------|--------------------------------|
| Guarantee | 5 |
| Material | PVD |
| Mixing Capability with Air | Yes |
| Mounting type | Countertop |
| Packaged Product Sizes (WxDxH) | 355X190X60 |
| Spout Length | 135 |
| Water Label Class | Dark Green (0 < Flow Rate ≤ 6) |
| Aerator | Short |

| | |
|-----------------------------|--------------------------------|
| Badge Diameter | D50 |
| Body Material | Brass |
| Cartridge | Adjustable heat-flow rate |
| # of Water Inlet | Double Inlet |
| Operating Pressure | Min:0.5-Max:10Recommended(1-5) |
| Spout Height | 115 |
| Outlet Turning Angle | Fixed |
| Hole Quantity | 1 |

2A technical drawing**Technical specifications**

Colour: Soft Copper **Height:** 174 **Width:** 50 **Depth:** 180 **Designer:** VitrA Design Team **Easy Assembly Feature:** Yes **Finish:** PVD
Guarantee: 5 **Material:** PVD **Mixing Capability with Air:** Yes **Mounting type:** Countertop **Packaged Product Sizes (WxDxH):**
 355X190X60 **Spout Length:** 135 **Water Label Class:** Dark Green (0 < Flow Rate ≤ 6) **Aerator:** Short **Badge Diameter:** D50 **Body**
Material: Brass **Cartridge:** Adjustable heat-flow rate **# of Water Inlet:** Double Inlet **Operating Pressure:** Min:0.5-
 Max:10Recommended(1-5) **Spout Height:** 115 **Outlet Turning Angle:** Fixed **Hole Quantity:** 1