



Collection: Root Round

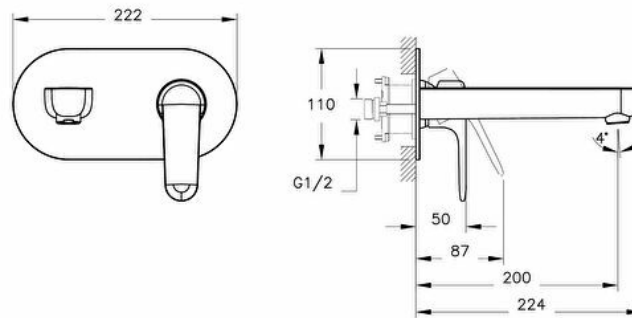
Technical specifications

Colour	Chrome
Height	150
Width	222
Depth	191
Designer	Vitra Design Team
Finish	Chrome
Material	Chrome

# of Water Inlet	Single Inlet
Built-in Product	A42230
Hole Quantity	5
Number of Functions	6
Operating Pressure	Min:0.5-Max:10Recommended(1-5)
Outlet Turning Angle	Fixed
Special Solutions	Narrow Spaces
Packaged Product Sizes (WxDxH)	210X180X105

Mixing Capability with Air	Yes
Mounting type	Built-in
Spout Length	170
Water Label Class	Dark Green (0 < Flow Rate ≤ 6)
Aerator	Standard
Badge Diameter	220X110
Body Material	Brass
Cartridge	Adjustable heat-flow rate

Guarantee	10
Certificate	REACH

2A technical drawing**Technical specifications**

Colour: Chrome **Height:** 150 **Width:** 222 **Depth:** 191 **Designer:** VitrA Design Team **Finish:** Chrome **Material:** Chrome **Mixing Capability with Air:** Yes **Mounting type:** Built-in **Spout Length:** 170 **Water Label Class:** Dark Green (0 < Flow Rate ≤ 6) **Aerator:** Standard **Badge Diameter:** 220X110 **Body Material:** Brass **Cartridge:** Adjustable heat-flow rate **# of Water Inlet:** Single Inlet **Built-in Product:** A42230 **Hole Quantity:** 5 **Number of Functions:** 6 **Operating Pressure:** Min:0.5-Max:10Recommended(1-5) **Outlet Turning Angle:** Fixed **Special Solutions:** Narrow Spaces **Packaged Product Sizes (WxDxH):** 210X180X105 **Guarantee:** 10 **Certificate:** REACH