

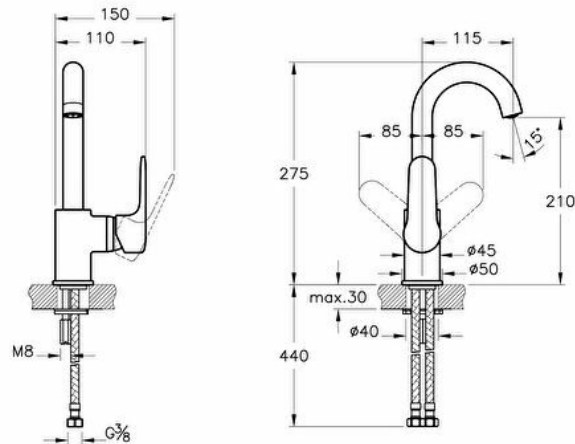
**Collection:** Root Round**Technical specifications**

Colour	Chrome
Height	280
Width	50
Depth	151
Designer	VitrA Design Team
Finish	Chrome
Material	Chrome

Badge Diameter	D50
Body Material	Brass
Cartridge	Adjustable heat-flow rate
# of Water Inlet	Double Inlet
Hole Quantity	5
Number of Functions	6
Operating Pressure	Min:0.5-Max:10Recommended(1-5)
Outlet Turning Angle	360

Mixing Capability with Air	Yes
Mounting type	Countertop
No-Calc Feature	Yes
Spiral Hose Material	Stainless Steel EPDM
Spiral Length	500
Spout Length	115
Water Label Class	Dark Green (0 < Flow Rate ≤ 6)
Aerator	Hidden,Silicon

Packaged Product Sizes (WxDxH)	315X205X70
Guarantee	10
Spout Height	210
Certificate	REACH

2A technical drawing**Technical specifications**

Colour: Chrome **Height:** 280 **Width:** 50 **Depth:** 151 **Designer:** VitrA Design Team **Finish:** Chrome **Material:** Chrome **Mixing Capability with Air:** Yes **Mounting type:** Countertop **No-Calc Feature:** Yes **Spiral Hose Material:** Stainless Steel EPDM **Spiral Length:** 500 **Spout Length:** 115 **Water Label Class:** Dark Green (0 < Flow Rate ≤ 6) **Aerator:** Hidden, Silicon **Badge Diameter:** D50 **Body Material:** Brass **Cartridge:** Adjustable heat-flow rate **# of Water Inlet:** Double Inlet **Hole Quantity:** 5 **Number of Functions:** 6 **Operating Pressure:** Min:0.5-Max:10Recommended(1-5) **Outlet Turning Angle:** 360 **Packaged Product Sizes (WxDxH):** 315X205X70 **Guarantee:** 10 **Spout Height:** 210 **Certificate:** REACH