



Collection: Flow Round

Technical specifications

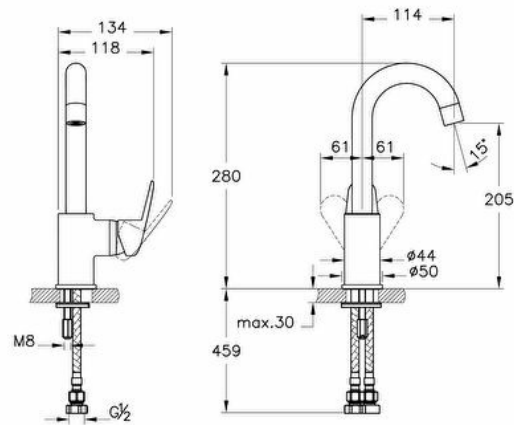
Colour	Chrome
Height	280
Width	46
Depth	151
Easy Assembly Feature	Yes
Finish	Chrome
Material	Chrome

Mixing Capability with Air	Yes
Mounting type	Countertop
No-Calc Feature	Yes
Packaged Product Sizes (WxDxH)	355X190X60
Spiral Hose Material	Stainless Steel PEX
Spiral Length	500
Spout Length	115
Aerator	Hidden,Silicon

Body Material	Brass
Cartridge	Adjustable heat-flow rate
# of Water Inlet	Double Inlet
Hole Quantity	5
Number of Functions	6
Operating Pressure	Min:0.5-Max:10Recommended(1-5)
Outlet Turning Angle	360
Designer	VitrA Design Team

Guarantee	10
Badge Diameter	Å50
Spout Height	205

2A technical drawing



Technical specifications

Colour: Chrome **Height:** 280 **Width:** 46 **Depth:** 151 **Easy Assembly Feature:** Yes **Finish:** Chrome **Material:** Chrome **Mixing Capability with Air:** Yes **Mounting type:** Countertop **No-Calc Feature:** Yes **Packaged Product Sizes (WxDxH):** 355X190X60 **Spiral Hose Material:** Stainless Steel PEX **Spiral Length:** 500 **Spout Length:** 115 **Aerator:** Hidden,Silicon **Body Material:** Brass **Cartridge:** Adjustable heat-flow rate **# of Water Inlet:** Double Inlet **Hole Quantity:** 5 **Number of Functions:** 6 **Operating Pressure:** Min:0.5- Max:10Recommended(1-5) **Outlet Turning Angle:** 360 **Designer:** VitrA Design Team **Guarantee:** 10 **Badge Diameter:** \tilde{A} 50 **Spout Height:** 205