



Collection: Flow Square

Technical specifications

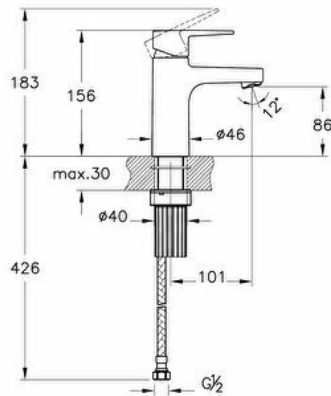
Colour	Matte Black
Height	156
Width	46
Depth	137
Easy Assembly Feature	Yes
Finish	Matte Black
Material	Matte Black

Mixing Capability with Air	Yes
Mounting type	Countertop
Packaged Product Sizes (WxDxH)	355X190X60
Spiral Hose Material	Stainless Steel PEX
Spiral Length	500
Spout Length	101
Aerator	Standard
Body Material	Brass

Cartridge	Adjustable heat-flow rate
# of Water Inlet	Double Inlet
Number of Functions	6
Operating Pressure	Min:0.5-Max:10Recommended(1-5)
Outlet Turning Angle	Fixed
Designer	VitrA Design Team
Guarantee	5
Spout Height	86

Hole Quantity	1
----------------------	---

2A technical drawing



Technical specifications

Colour: Matte Black **Height:** 156 **Width:** 46 **Depth:** 137 **Easy Assembly Feature:** Yes **Finish:** Matte Black **Material:** Matte Black
Mixing Capability with Air: Yes **Mounting type:** Countertop **Packaged Product Sizes (WxDxH):** 355X190X60 **Spiral Hose Material:** Stainless Steel PEX **Spiral Length:** 500 **Spout Length:** 101 **Aerator:** Standard **Body Material:** Brass **Cartridge:** Adjustable heat-flow rate **# of Water Inlet:** Double Inlet **Number of Functions:** 6 **Operating Pressure:** Min:0.5-Max:10Recommended(1-5) **Outlet Turning Angle:** Fixed **Designer:** VitrA Design Team **Guarantee:** 5 **Spout Height:** 86 **Hole Quantity:** 1