

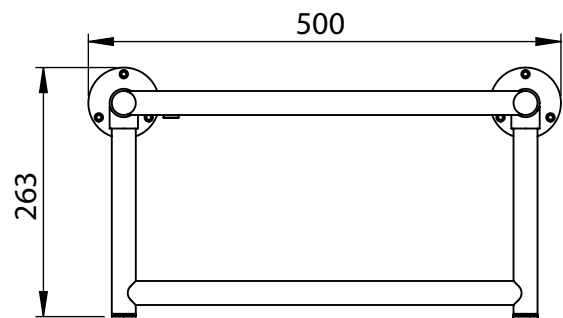
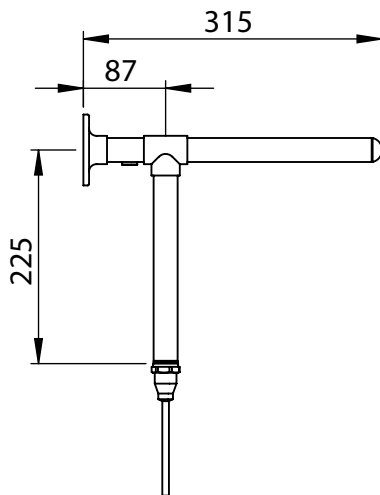
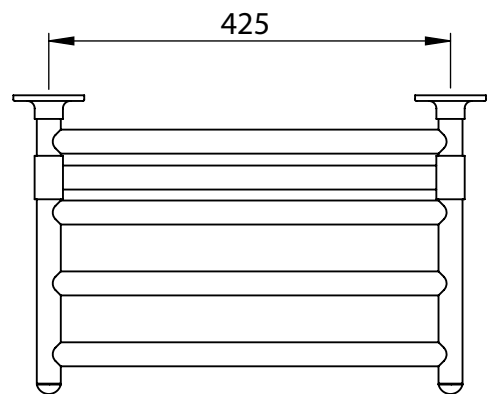
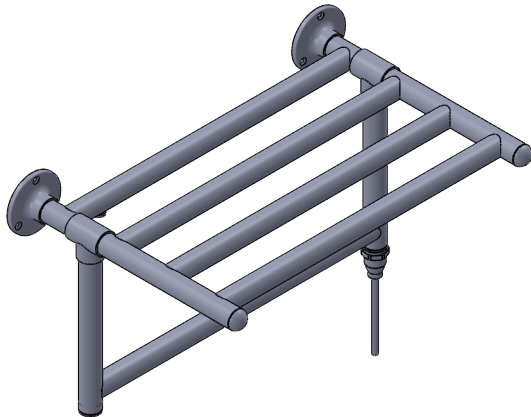
Solo
TR001-BR
263x500

Height: 263
 Width: 500
 Depth: 315
 Weight HO: 4.5 kg
 EO: 6.5 kg

Tube ϕ : 25.4
 Pipe Centres: 425
 Elec. element if specified: 50
 Output @ 50 °C Δ T Watts: 126
 BTUs: 430

All dimensions in millimetres

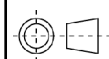
Manufactured from ISO/CEN CuZn36As (BS CZ126) brass tube



position of element
 if specified dual
 energy*/ electric

*Dual energy models require a conversion-tee, consult relevant drawing for details.

Vogue UK Ltd. reserve the right to alter specifications without prior notice.
 ALL MEASUREMENTS ARE NOMINAL DIMENSIONS ONLY, AND ARE NOT BINDING



SCALE 1:8

VOGUE
 TOWEL WARMERS & RADIATORS

Strawberry Lane, Willenhall
 West Midlands WV13 3RS
 Tel: 01902 387000 Fax: 01902 387001
 e-mail:sales@vogueuk.co.uk www.vogueuk.co.uk