

Ballerina

LG021DFW-BR

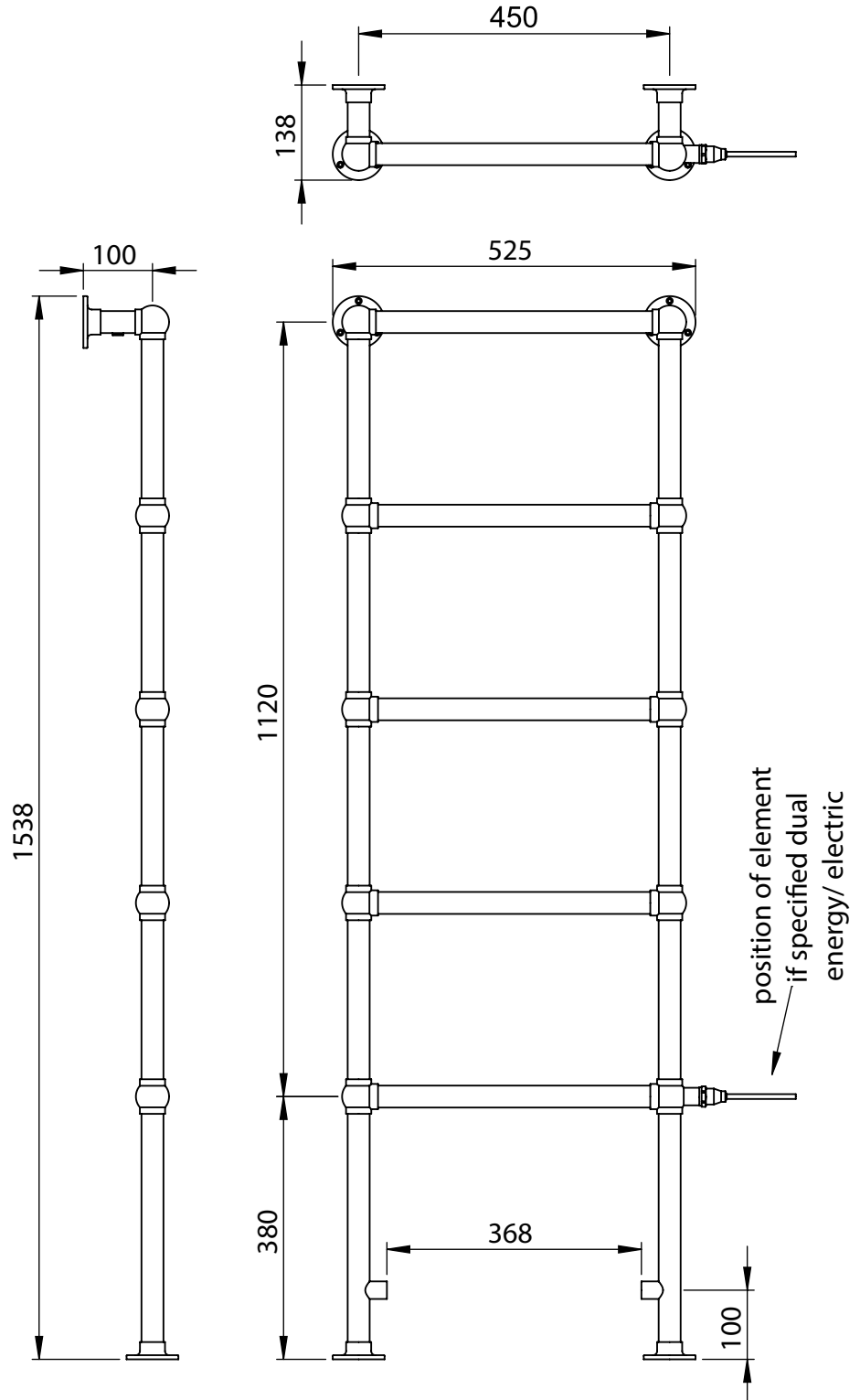
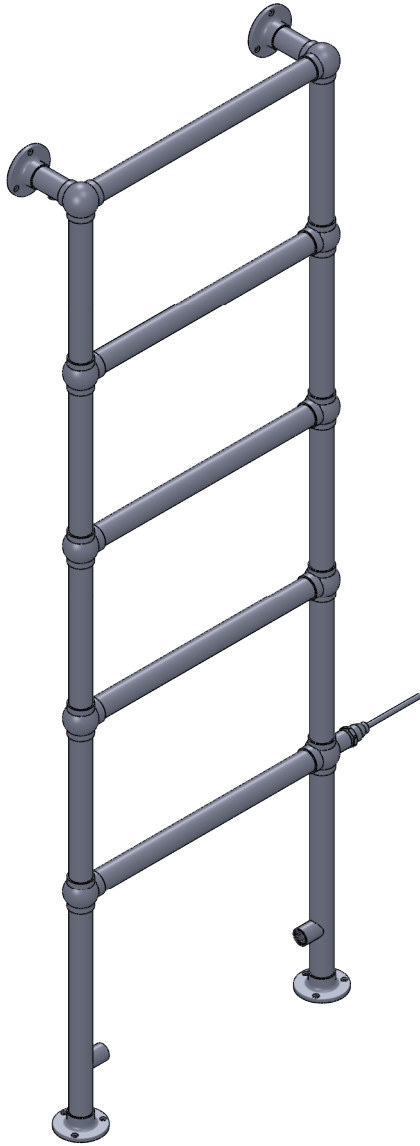
1538x525

Height: 1538
 Width: 525
 Depth: 138
 Weight HO: 11.5 kg
 EO: 17.5 kg

Tube ϕ : 31.8
 Face-Face Connections: 368
 Elec. element if specified: 150
 Output @ 50 °C Δ T Watts: 292
 BTUs: 996

All dimensions in millimetres

Manufactured from ISO/CEN CuZn36As (BS CZ126) brass tube



Vogue UK Ltd. reserve the right to alter specifications without prior notice.
 ALL MEASUREMENTS ARE NOMINAL DIMENSIONS ONLY, AND ARE NOT BINDING



SCALE 1:10

VOGUE
 TOWEL WARMERS & RADIATORS

Strawberry Lane, Willenhall
 West Midlands WV13 3RS
 Tel: 01902 387000 Fax: 01902 387001
 e-mail:sales@vogueuk.co.uk www.vogueuk.co.uk