



Westminster Cross-head Rad Valves - Straight (pair)



Available Finishes
Chrome

Connection Size	
Valve to Radiator	½" BSPT
Valve to Pipe	15mm Compression

Allen Key size	
To adjust Lock-Shield	By Hand
To fit Coupler to Radiator	12mm
Allen Keys are not included	

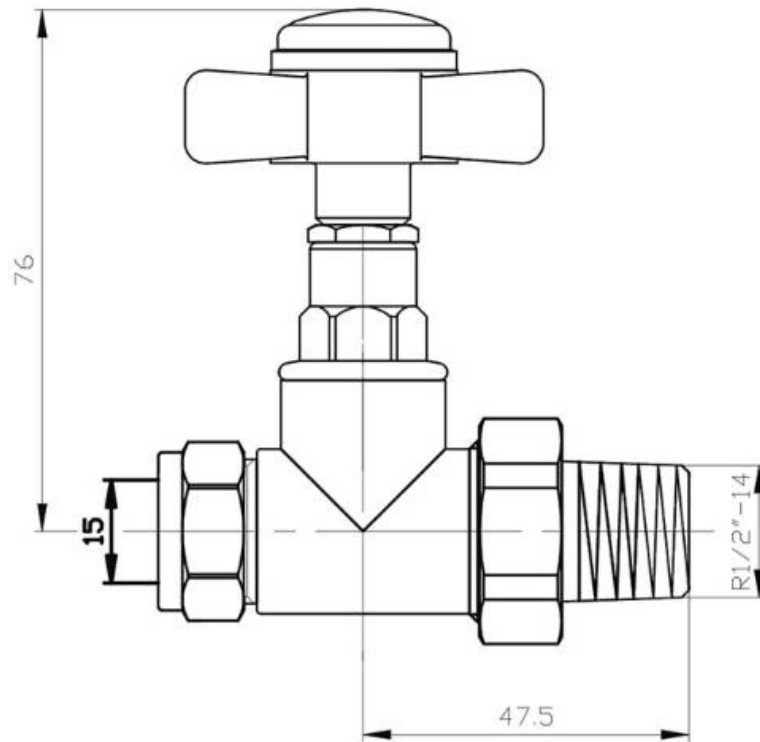
Pressure Ratings	
Max Operating Pressure	10 Bar
Max Differential Pressure	1 Bar

Temperature Ratings	
Max Operating Temperature	100°C

Disclaimer	
All dimensions are approximate and for roughing in only. We recommend no work be carried out until the goods arrive. We can take no responsibility for errors in information supplied.	



Westminster Cross-head Rad Valves - Straight (pair)





Westminster Cross-head Rad Valves - Straight (pair)

Identifying Parts

