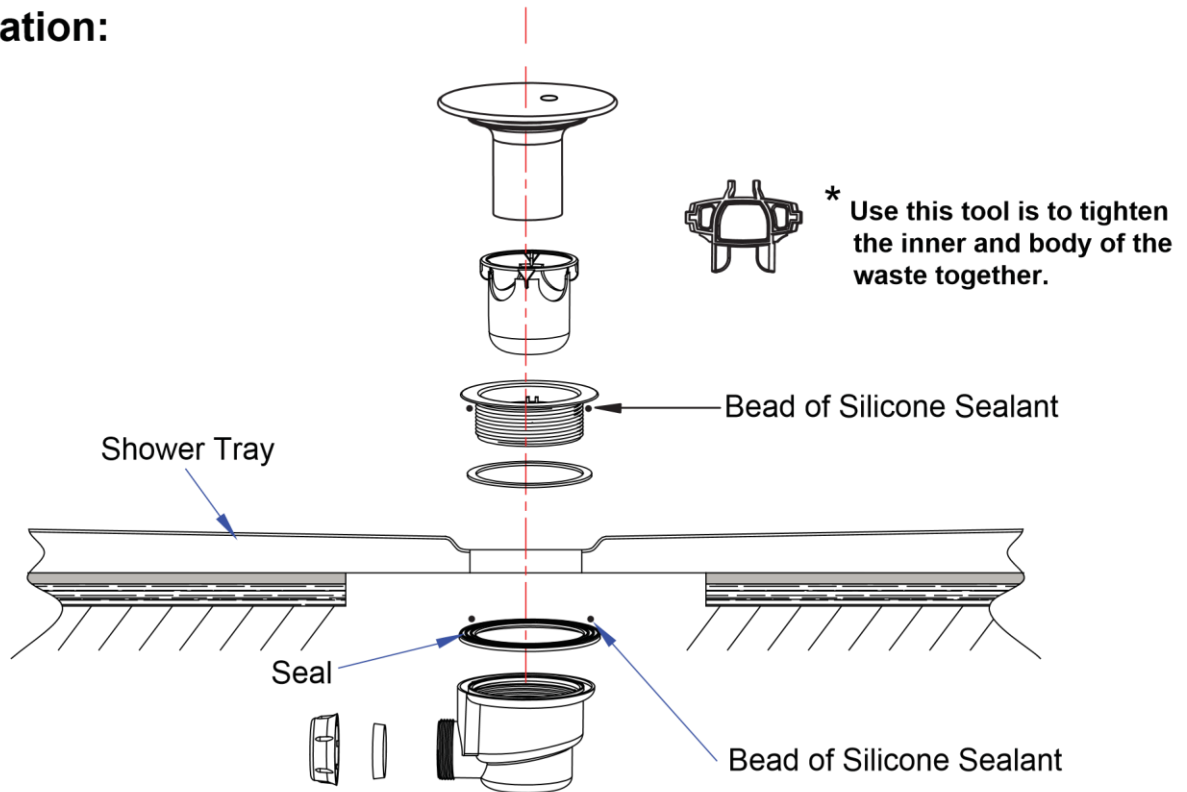


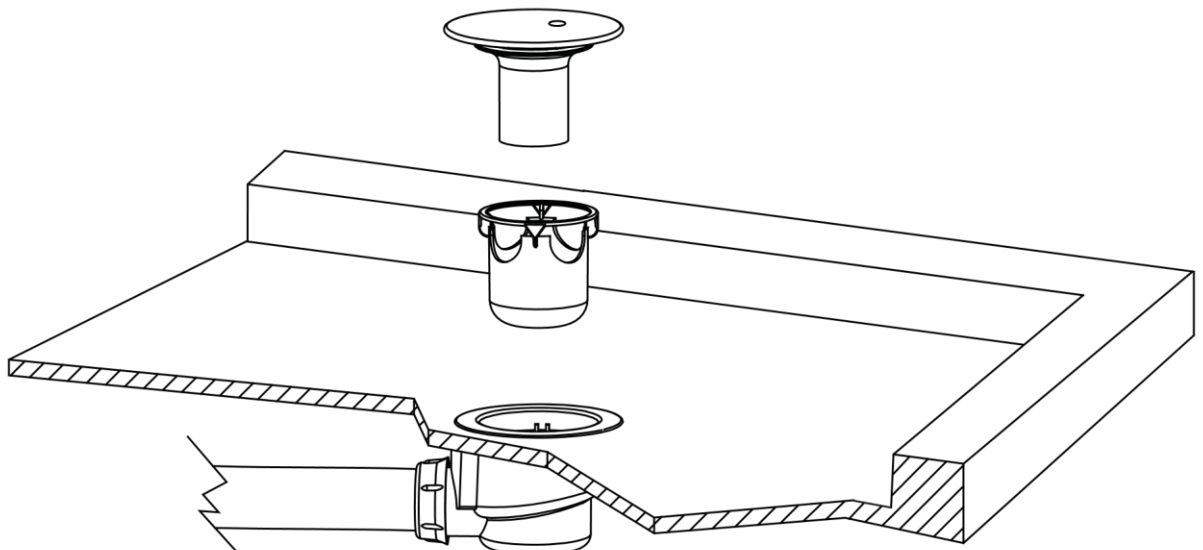
90mm HIGH FLOW WASTE INSTRUCTION

Installation:



Maintenance:

- Remove the waste cover.
- Remove the inner filter.
- Clean with hot soapy water.
- Re-assemble in reverse order.



High flow vortex shower waste



As Shown

Z1205 90mm high flow waste

Colour

Z1205 - waste - chrome

Material

Z1205 - waste - ABS

Size

Z1205 - 130 x 113 x 95mm

Nett Weight

Z1205 - waste - 0.31kg

Gross Weight Including Packaging

Z1205 - waste - 0.4kg

Packed Dimension

Z1205 - 133 x 115 x 113 = 0.0017 m³

Guarantee

10 year guarantee*

[*Full terms & conditions here](#)

Standards Information

Z1205 - WRAS Not Applicable

EN 274-1: 2002 (BSEN 274-1:2002) Exclude clause 4.4, 4.5 and 5

Additional Information

10 years guarantee

